


PROJECTION



TECHNICAL DATA

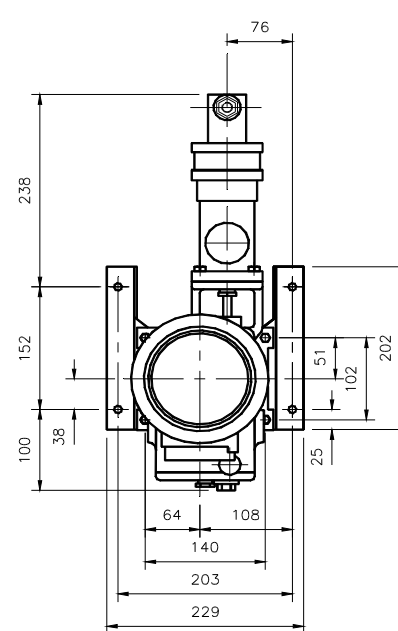
PUMP MANUFACTURER TYPE
GROSVENOR PUMPS LTD.
PYGME VARIFLOW PLUNGER

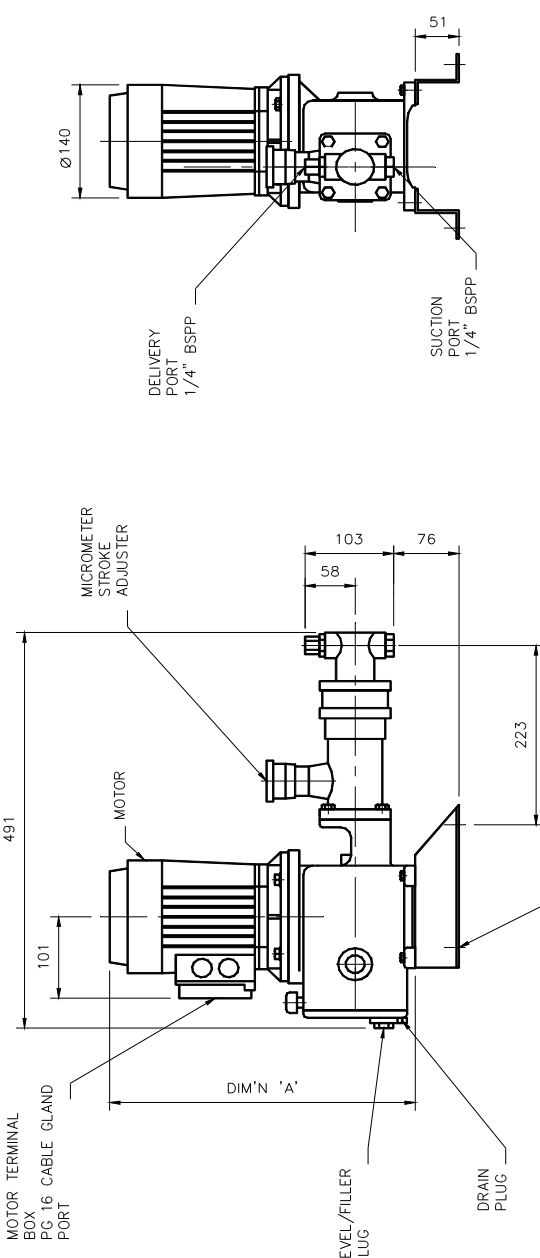
MATERIAL
316 STAINLESS STEEL PUMP BODY – STANDARD
NITRILE SEALS – STANDARD
316L STAINLESS STEEL VALVE BALLS – STANDARD

SUCTION PORT DELIVERY PORT
1/4" BSPP FEMALE
1/4" BSPP FEMALE
ALL VALVES HAVE INLET AT THE BOTTOM AND THE OUTLET AT THE TOP.

MOTOR (STANDARD)
D71 FRAME IP 55 4 POLE
1500 REV/MIN
0.37 kW
415 VAC/3 PHASE/50Hz
CONTINUOUS
MOUNTING FEET ARE OPTIONAL AND REMOVABLE.
THE MOTOR CAN BE ROTATED IN 90 INTERVALS TO PROVIDE ALTERNATIVE TERMINAL BOX POSITIONS.

PUMP SIZE BORE x STROKE	PORT SIZE BSP	OUTLET FLOW L/H	PRESSURE (MAX) BAR
1/2"x1/2"	1/4"	0-5	100
1/2"x1"		0-11	100
3/4"x1"		0-24	100
1"x1"		0-46	55





MOTOR SIZE	ELECT. SUPPLY	'A' DIM'N	
		IP55	EEExd
180 W	240 VAC	D63	D71
		D63	D63
250 W	415 VAC	339	403
		364	415
370 W	240 VAC		415
			429
	415 VAC	364	415
		364	429

DELIVERY PORT 1/4" BSPP

SUCTION PORT 1/4" BSPP

MOTOR TERMINAL BOX PC 16 CABLE GLAND PORT

MICROMETER STROKE ADJUSTER

LEVEL/FILLER PLUG

DRAIN PLUG

MOUNTING HOLES 4 PLACES Ø 9

DIM'N 'A'

ISSUE DATE	ALTERATION	SIGN
1 NOV 95	DIM WAS 468	CHU
7 SEPT 95	REDRAWN	CHU
1 OCT 90	ORIGINAL ISSUE	CHU

THIS DRAWING IS CONFIDENTIAL AND IS THE PROPERTY OF GROSVENOR PUMPS LTD. IT MUST NOT BE REPRODUCED EITHER WHOLLY OR PARTLY WITHOUT THE WRITTEN COPY RIGHTS ARE RESERVED. ©

REMOVE ALL BURS AND SHARP EDGES. DO NOT SCALE IF IN DOUBT ASK.

FILE: \PUMP\VARIFLOW\RG815

DIMENSIONS IN mm

ORIGINAL SCALE 1:4

MACHINE ALL OVER OR WHERE MARKED SURFACE FINISH 3.2 UNLESS OTHERWISE SHOWN

GROSVENOR PUMPS LTD.

GP

TITLE PYGME VARIFLOW PLUNGER
INSTALLATION DETAIL

SHEET NUMBER	PART NUMBER
1 OF 1	RG815/A2/3