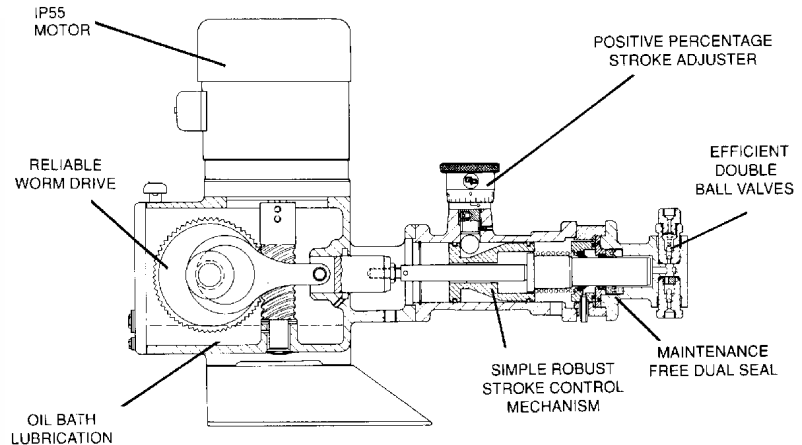
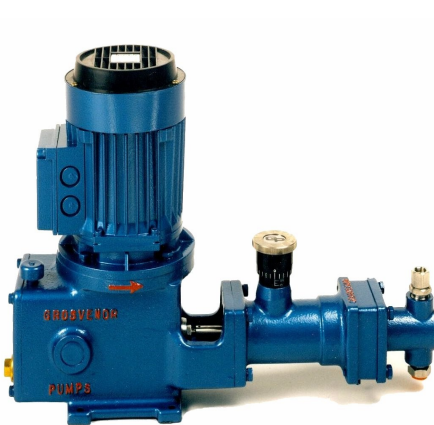


Variflow Single Acting Plunger Pump

Data sheet 110 GP 02



Nett weight - 27 kg

Size - 495 x 165 x 395 mm

The Pygme Variflow pump is a variable output single acting plunger pump with high efficiency double ball valves. Drive from vertical flange mounted motor is through a worm and wheel to the eccentric which operates a push rod. This rod actuates the robust and trouble free spring return adjusting mechanism which is fitted with a manual micrometer adjusting screw. The stroke length is adjustable 0 - 100%.

Specifications:

- ① **Size:** - Pumps are manufactured with 1/2" and 1" stroke and plunger sizes of 1/2" ,3/4" and 1" diameter giving a choice of outputs from 0 to 55 L/Hr. Motors from 0.18 to 0.55 kW are available giving pressures up to 100 Bar depending on flowrate.
- ① **Speed:** - Standard motors of 1500 rpm are employed giving a pump speed of 60 strokes per minute. Alternative motors and speeds for non-standard electrical supplies are available.
- ① **Materials of Construction:** - The gearbox and stroke adjuster casings are of high grade Cast Iron. The pump head, plunger and all valve parts are 316 stainless steel with standard gland seals of Nitrile with the options of Viton or PTFE.
- ① **Applications:** - The Pygme Variflow is the ideal pump for chemical injection, water treatment dosing, sampling, processing, pressurisation and metering. Indeed, any application where variable economical positive feeds of liquids is required.