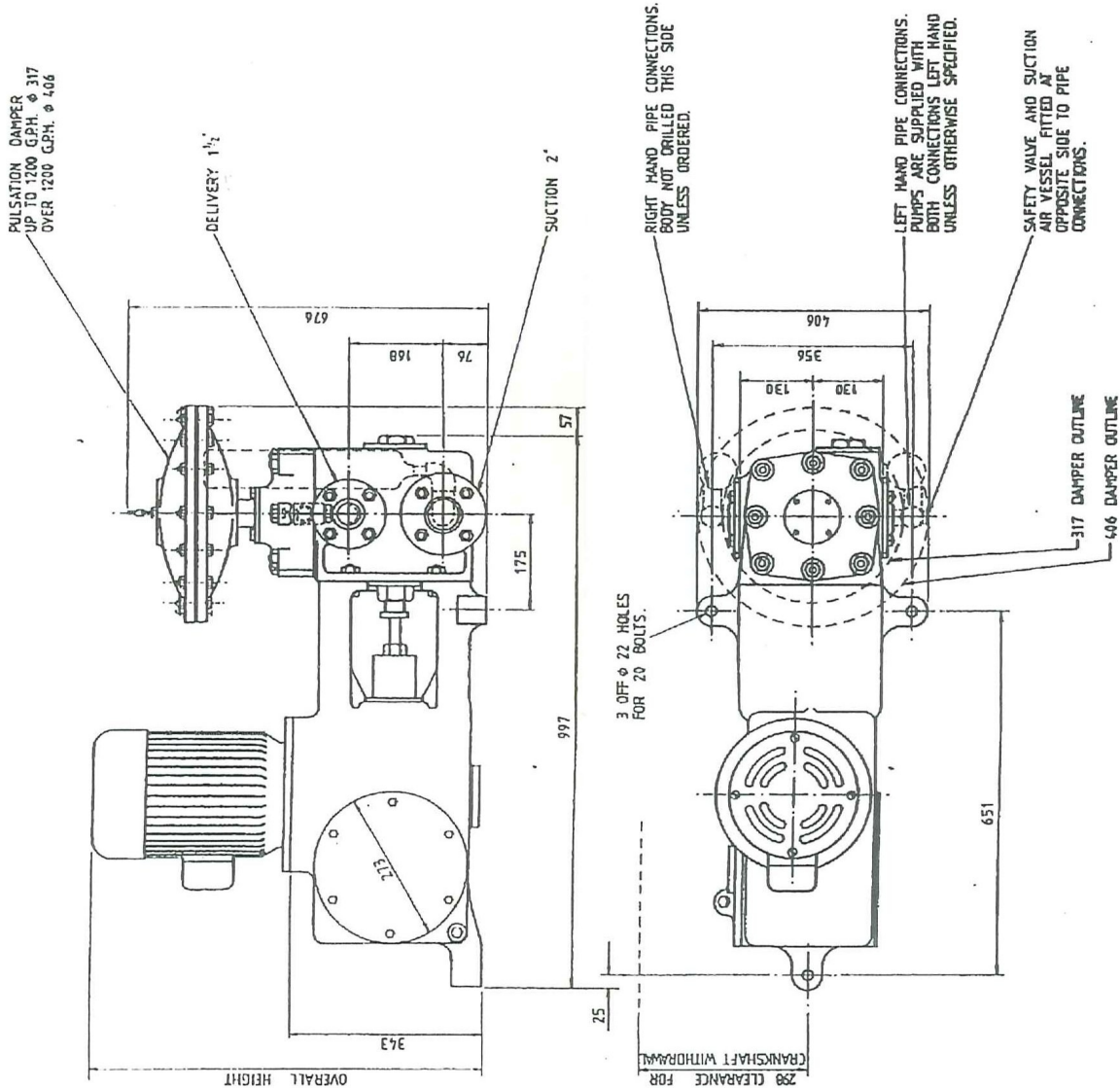


L Type Piston Pump Installation Detail

MOTOR SIZE	OVERALL HEIGHT*
2 HP TEFC	651
3 HP TEFC	673
4 HP TEFC	673
5 1/2 HP TEFC	702
7 1/2 HP TEFC	724
10 HP TEFC	762
15 HP TEFC	851

MOTOR DIMENSIONS GIVEN ARE FOR INDUSTRIAL 3 PHASE METRIC MOTORS, D.C. AND MARINE MOTOR DIMENSIONS ON APPLICATION.



DRG No. RG 326/4

L Type Double Acting Piston Pump - Dimensional Drawing