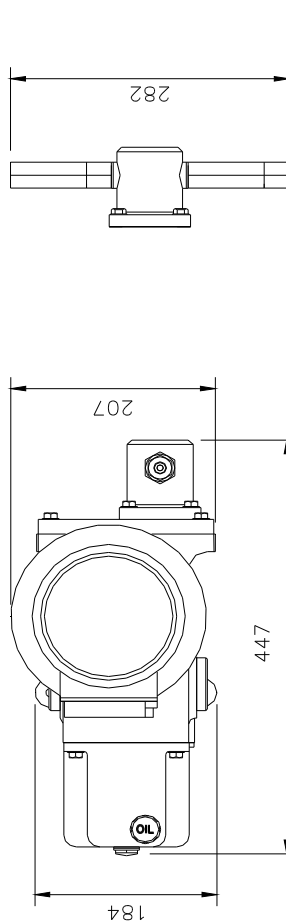
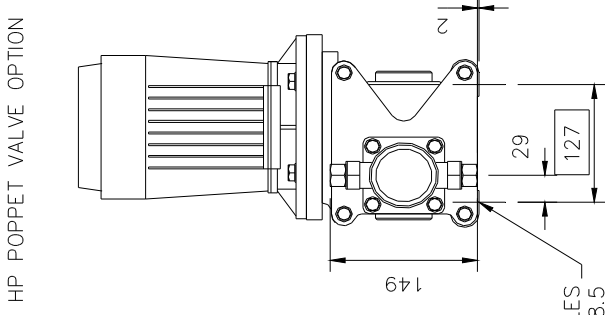


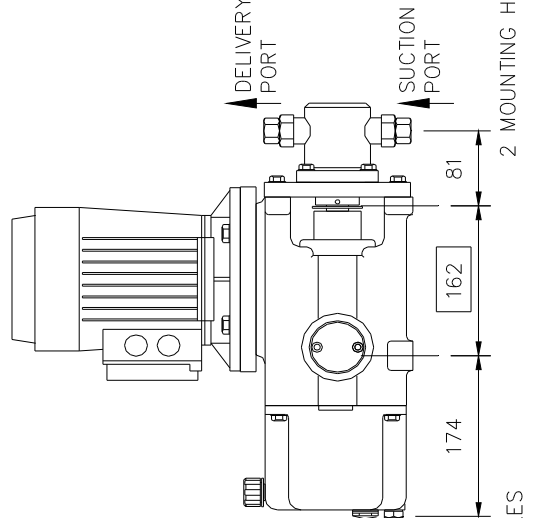
DRAWING NUMBER	PUMP	FLOWRATE L/H	PRESSURE BAR MAX	POWER KW MAX	PORT BSP
RG756/A3/4					
	5/8"x1"	25	260	1.1	1/4"
	3/4"x1"	36	200	1.5	1/4"
	7/8"x1"	54	170	1.5	1/4"
	1"x1"	68	140	1.5	1/4"
	1-1/8"x1"	91	100	1.5	1/2"
	1-1/4"x1"	113	80	1.5	1/2"
	1-3/8"x1"	136	70	1.5	1/2"



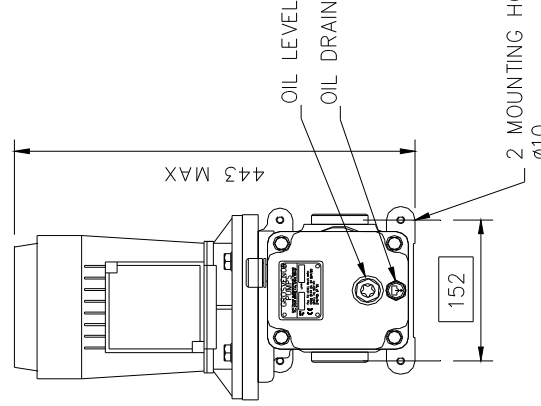
PROJECTION



HP POPPET VALVE OPTION



DELIVERY PORT  
 SUCTION PORT  
 2 MOUNTING HOLES Ø8.5  
 81  
 162  
 174



OIL LEVEL  
 OIL DRAIN  
 2 MOUNTING HOLES Ø10  
 152  
 443 MAX

MOTOR (STD)

TYPE D80 FRAME IP 55 4 POLE

SPEED 1500 REV/MIN

SUPPLY 415 VAC/3 PHASE/50Hz

OPERATION CONTINUOUS

MATERIAL (STD) 316L STAINLESS STEEL

PUMP HEAD NITRILE

TEMPERATURE 1°C MIN. 150° MAX.

WEIGHT 33 KG

MOTOR CAN BE ROTATED 90° INCREMENTS TO PROVIDE ALTERNATIVE TERMINAL BOX POSITIONS.

SHEET 1 OF 1		TITLE HPS PLUNGER PUMP INSTALLATION DETAILS	
PART NUMBER		DRAWING NUMBER	
RG756/A3/4		RG756/A3/4	

DATA SHOWN IS FOR STANDARD ASSEMBLY ONLY.  
 CONTACT GROSVENOR PUMPS FOR FULL DETAILS

FILE: \PUMP\HPS\INST\RG756

DIMENSIONS IN MM ORIGINAL SCALE - 1:5

REDEWON ON A3 FORMAT

CHU SIGN

A3

REMOVE ALL BURRS AND SHARP EDGES.  
 DO NOT SCALE IF IN DOUBT ASK.

THIS DRAWING IS CONFIDENTIAL AND IS THE PROPERTY OF GROSVENOR PUMPS LTD. AND MUST NOT BE REPRODUCED EITHER WHOLLY OR PARTLY WITHOUT PERMISSION. COPYRIGHTS ARE RESERVED.

GROSVENOR PUMPS LTD  
 8, SHAFTESBURY INDUSTRIAL CENTRE, THE RUNNINGS, CHELTENHAM, GLOS GL51 9NH, ENGLAND.