

High Pressure Plunger Pump

Data sheet 109 GP 02

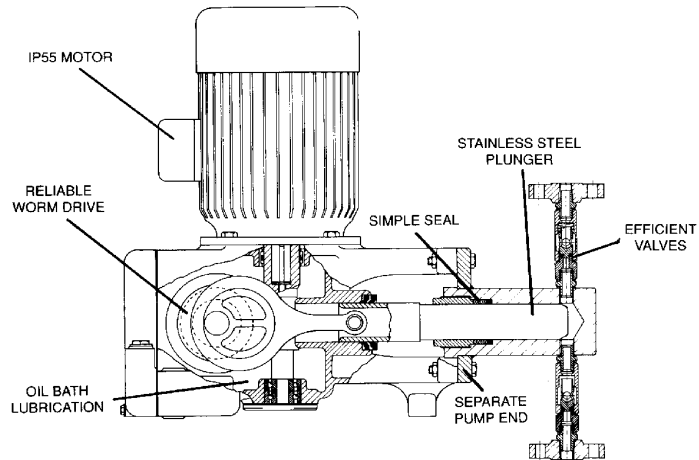
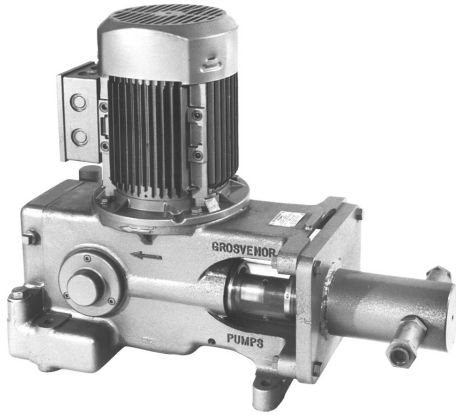


Illustration HPI Single Acting Plunger Pump

The **HPS, HPI and HPL** pumps are single acting with drive through worm gears by electric motor. Standard pumps are manufactured with 1", 2.1/2" and 3" stroke. Plunger sizes from 3/4" to 2". By suitable combination of bore, stroke and gear ratio, outputs to suit a wide range of requirements from 25 to 1180 L/Hr can be supplied at pressures up to 250 Bar depending on type and size.

Specifications:

- x **Speed and Motors:** - Standard electric motors from 0.55kW to 11kW at 1500 rpm are employed giving a pump speed of 100 to 160 strokes per minute depending on gear ratio. Alternative motors and speeds for non-standard electrical supplies can be supplied if required.
- x **Materials of Construction:** - The gearbox case is of high grade cast iron. The pump head is manufactured from stainless steel. The standard plunger is 316 stainless steel. Valves are stainless steel ball or poppet type with Nitrile or PTFE seal. Standard gland seals of Nitrile - option PTFE.
- x **Economy:** - Due to worm gear reduction, low horse powers are required, meaning low initial cost due to smaller motors and starters and low running costs.
- x **Typical Applications** - The **HPS, HPI and HPL PUMPS** are suitable for high pressure dosing applications and pressure testing. They are widely used in power station applications.

Our policy is to continually develop and improve our products and we therefore reserve the right to modify pumps shown in this brochure without notice.