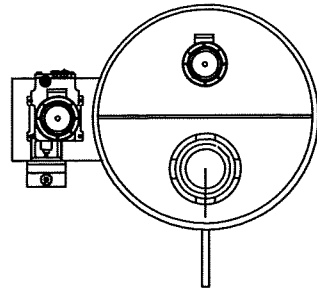
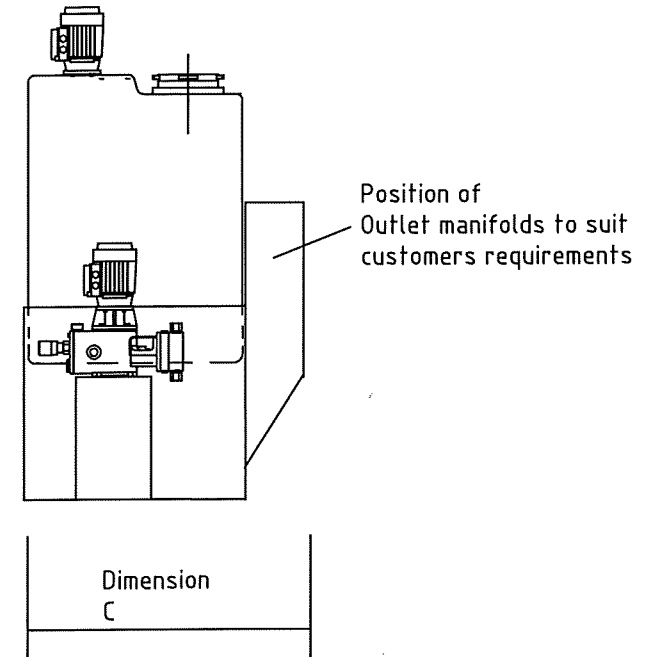
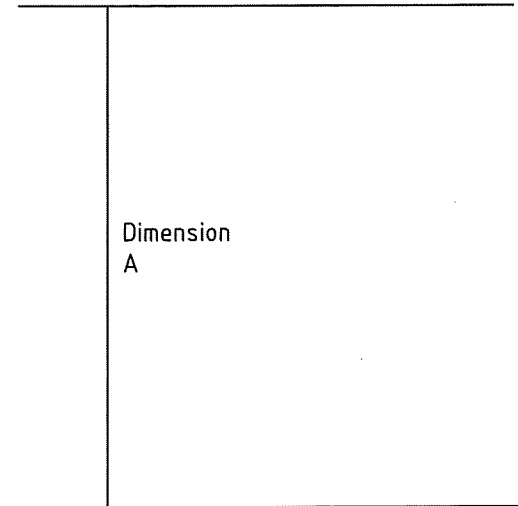
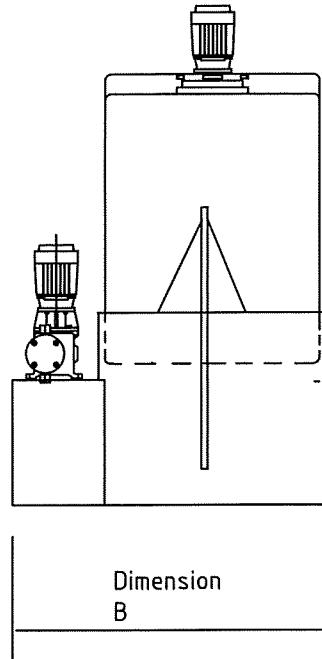


GP 1994

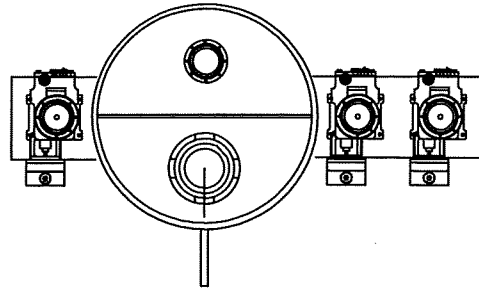


Tank Size	Dimension A	Dimension B	Dimension C
100 Ltrs	1425mm	700mm	675mm
200 Ltrs	1510mm	835mm	810mm
300 Ltrs	1715mm	860mm	835mm
500 Ltrs	1740mm	1015mm	990mm
1000 Ltrs	1990mm	1260mm	1235mm

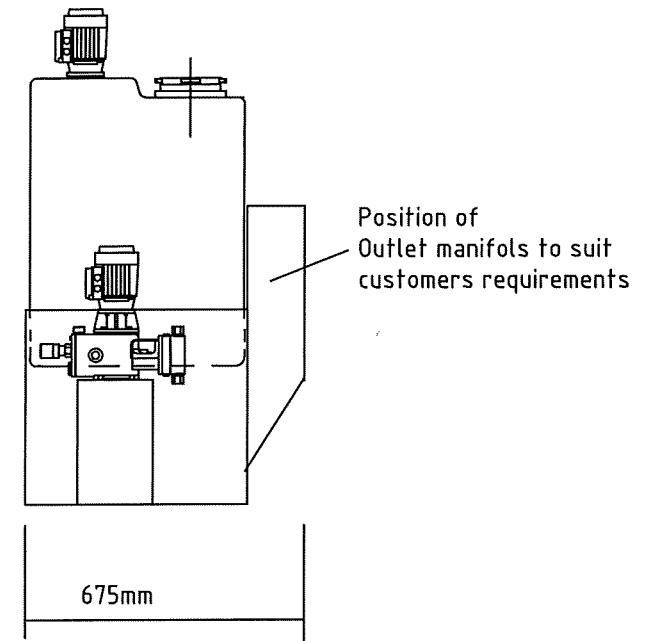
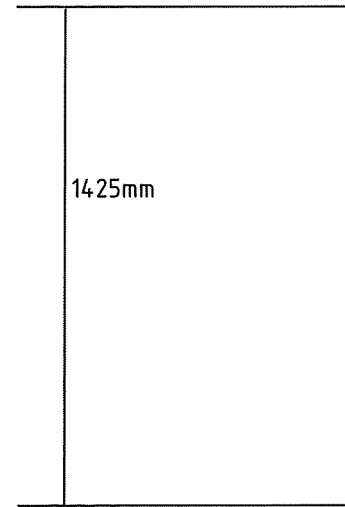
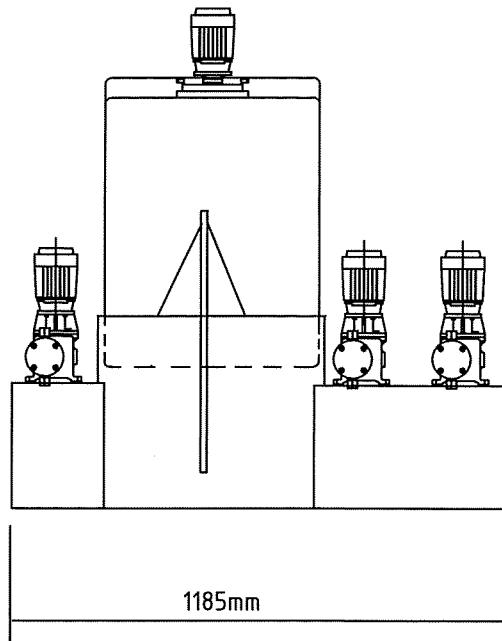


		This drawing is copyright and may not be copied in any form without written permission from Grosvenor Pumps Ltd.		FINISH:-	MATERIAL :-			
				DRAWN BY	TITLE :- STANDARD SINGLE PUMP DOSING PACKAGE			DRG. No.
				CHECKED BY				GP 1994
		DIMENSIONS IN	mm	CONTRACT No.	Grosvenor Pumps Ltd, Camborne, TR14 OPJ			
No.	MODIFICATION	ANGLE PROJECTION	3rd	CUSTOMER				
		DATE			SCALE :-	NTS		

GP1996

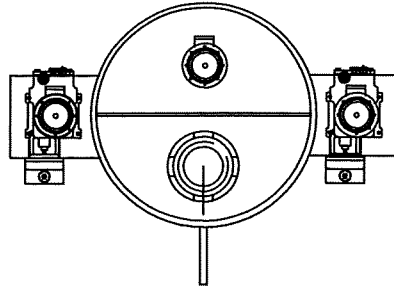


Tank Size	Dimension A	Dimension B	Dimension C
100 Ltrs	1425mm	1050mm	675mm
200 Ltrs	1510mm	1185mm	810mm
300 Ltrs	1715mm	1210mm	835mm
500 Ltrs	1740mm	1365mm	990mm
1000 Ltrs	1990mm	1610mm	1235mm

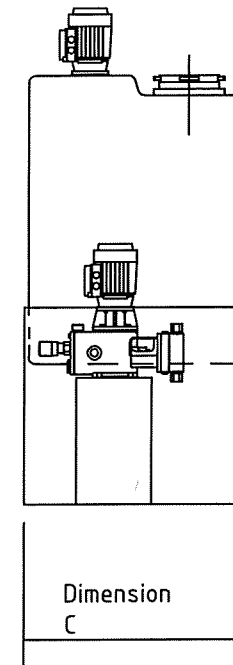
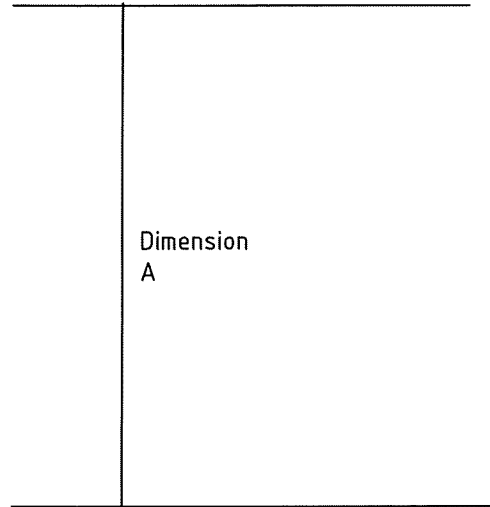
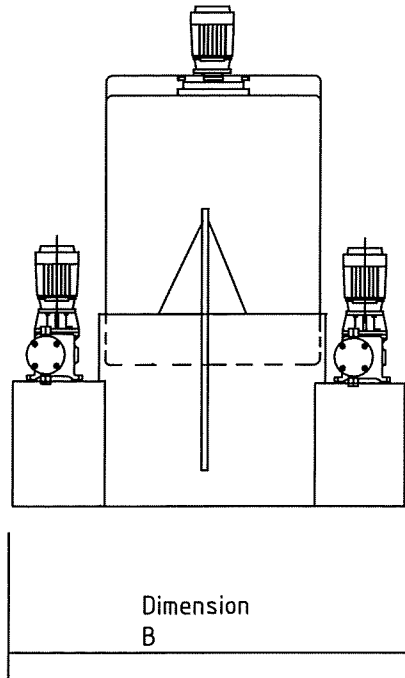


		This drawing is copyright and may not be copied in any form without written permission from Grosvenor Pumps Ltd.		FINISH:-	MATERIAL :-			
				DRAWN BY	TITLE :-			DRG. No.
				CHECKED BY	STANDARD TRIPLE PUMP DOSING PACKAGE			GP1996
		DIMENSIONS IN mm		CONTRACT No.				
No.	MODIFICATION	DATE	ANGLE PROJECTION	3rd	CUSTOMER	SCALE :-	NTS	Grosvenor Pumps Ltd, Camborne, TR14 0PJ

GP1995



Tank Size	Dimension A	Dimension B	Dimension C
100 Ltrs	1425mm	875mm	675mm
200 Ltrs	1510mm	1010mm	810mm
300 Ltrs	1715mm	1035mm	835mm
500 Ltrs	1740mm	1190mm	990mm
1000 Ltrs	1990mm	1435mm	1235mm



Position of Outlet manifolds to suit customers requirements

		This drawing is copyright and may not be copied in any form without written permission from Grosvenor Pumps Ltd.		FINISH:-	MATERIAL :-	
				DRAWN BY	TITLE :- STANDARD DUEL PUMP DOSING PACKAGE	
				CHECKED BY		
		DIMENSIONS IN mm		CONTRACT No.		
No.	MODIFICATION	DATE	ANGLE PROJECTION 3rd	CUSTOMER	SCALE :- NTS	Grosvenor Pumps Ltd, Camborne, TR14 OPJ