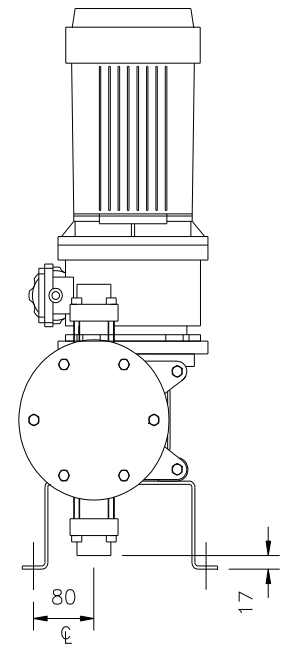
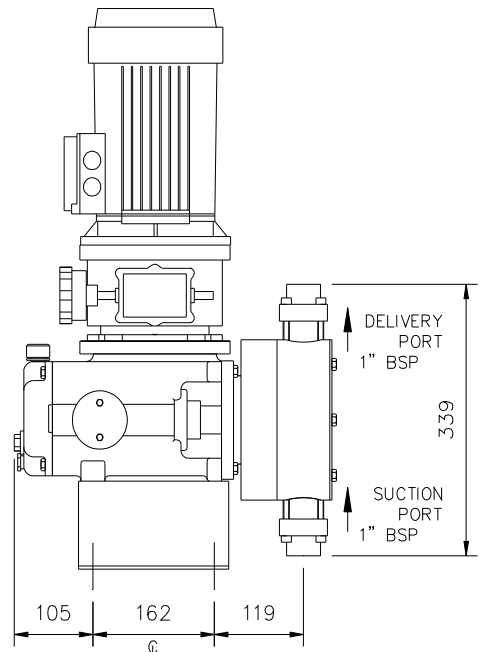
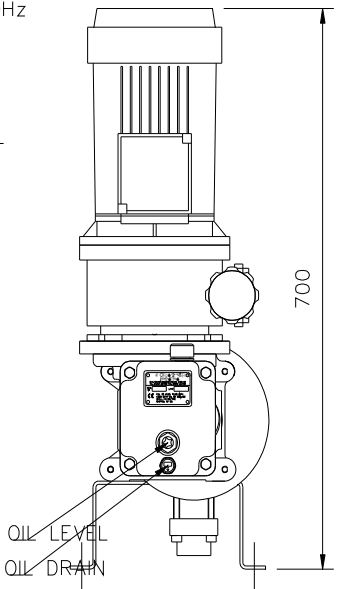
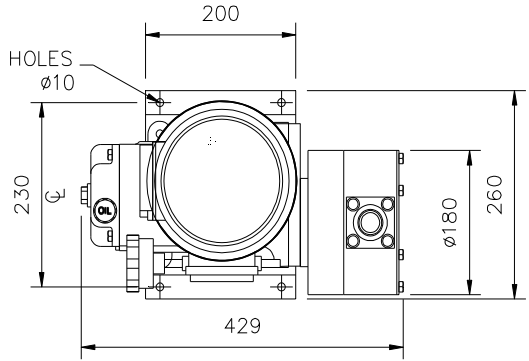


**S-Type Variflow Diaphragm Installation**

Trewoole, Praze, Camborne, Cornwall, England, TR14 0PJ  
 Tel: +44 (0) 1209 831 500 | Fax: +44 (0) 1209 831 939  
 sales@grosvenorpumps.com | www.grosvenorpumps.com



DRAWING NUMBER GP1826/A3/3

**DUTY**  
 GSVD1000-5  
 0 BAR 1100 L/HR  
 5 BAR 1000 L/HR

**MOTOR (STD)**  
 TYPE D90 FRAME IP 55 4 POLE  
 SPEED 1500 REV/MIN  
 POWER 1.1 kW  
 SUPPLY 415 VAC/3 PHASE/50Hz  
 OPERATION CONTINUOUS

**MATERIAL**  
 PUMPHEAD uPVC  
 316L STAINLESS STEEL

**DIAPHRAGM** PTFE

**TEMPERATURE** 1°C MIN.  
 60° MAX. - uPVC  
 150° MAX. - 316L

**WEIGHT** 54 kg

MOTOR CAN BE ROTATED 90° INCREMENTS TO PROVIDE ALTERNATIVE TERMINAL BOX POSITIONS.

DATA SHOWN IS FOR STANDARD ASSEMBLY ONLY.  
 CONTACT GROSVENOR PUMPS FOR FULL DETAILS

3	12 FEB 99	MOTOR WAS 0.75 KW D90	CHU
2	27 JAN 99	REDIMENSIONED	CHU
1	14 JAN 99	ORIGINAL ISSUE	CHU
ISSUE	DATE	ALTERATION	SIGN

SHEET 1 OF 1	TITLE GSVD1000-5 DIAPHRAGM PUMP INSTALLATION DETAILS
PART NUMBER	
DRAWING NUMBER	GP1826/A3/3

THIS DRAWING IS CONFIDENTIAL AND IS THE PROPERTY OF GROSVENOR PUMPS LTD. AND MUST NOT BE REPRODUCED EITHER WHOLLY OR PARTLY WITHOUT PERMISSION. COPY RIGHTS ARE RESERVED. ©

REMOVE ALL BURRS AND SHARP EDGES.

DO NOT SCALE IF IN DOUBT ASK.

A3

FILE:\PUMP\DPHRGM\INST\GP1826

DIMENSIONS IN MM

ORIGINAL SCALE - 1:6



Grosvenor Pumps comply with ISO 9001:2008 Quality Standards. ATEX approved pumps on request.  
 Registered Office: Grosvenor Pumps Ltd, Chalfont St. Peter, Gerrards Cross, Bucks, England, SL9 9LU  
 Registration No. 02435508

