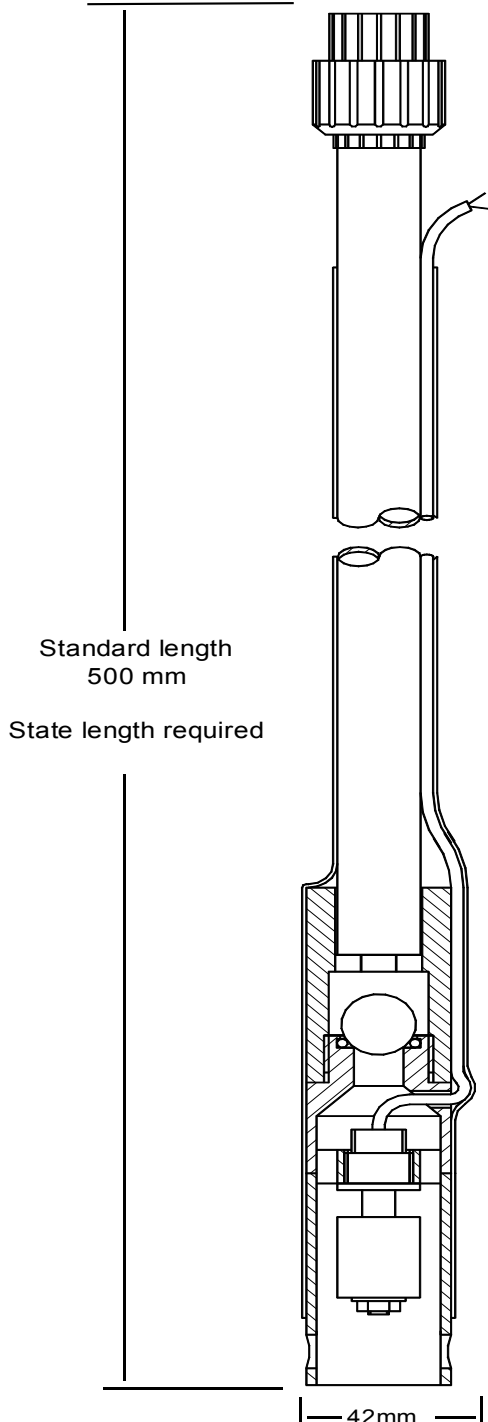


Suction Lance & Depletion Alarm

Data sheet
136 GP 02 - issue 2



Product Code 2079

Specification:-

- **General:-** A compact suction lance complete with foot valve and built in depletion alarm switch to detect tank low level
- **Materials of Construction:-**
Lance body - uPVC
Foot valve ball - glass
Seals - EPDM or PTFE
Alarm switch - uPVC
- **Pipe Connection:-** Breakable connection 1/2" BSP
- **Output:-** Volt free reed switch N/O Rating 125 Vac/dc, 15 watts - supplied with two metre flying lead

Our policy is to continually develop and improve our products and we therefore reserve the right to modify systems shown in this brochure without notice