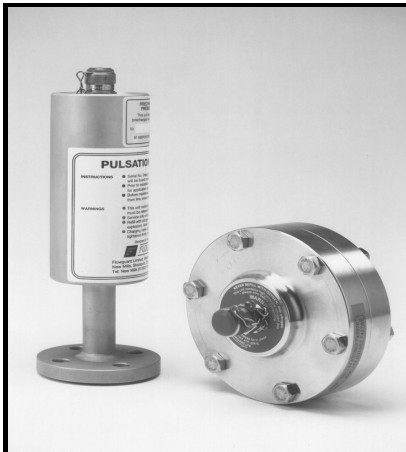


Bladder Type Pulsation Damper

Data sheet 131 GP02



Specification:-

- **General:-** A range of standard cost effective bladder type pulsation dampers manufactured from stainless steel or polypropylene supplied with elastomers to suit most applications.
- **Sizes:-** A range of sizes are available from 0.1 to 15 litres with design pressures up to 295 Bar according to size.
- **Connection:-** The single connection can be supplied either threaded or flanged.
- **Documentation:-** Full documentation including certificate of conformity available on

BLADDER TYPE PULSATION DAMPER DS - TYPE A

DS Series
Shell Material : 316 Stainless Steel

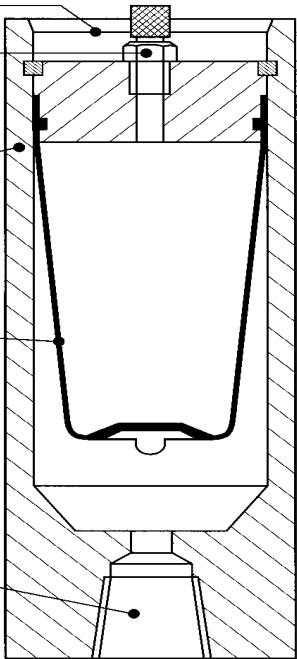
OPEN TOP CONSTRUCTION TO ALLOW FOR EASY SERVICING WITHOUT REMOVING DAMPER FROM THE PIPELINE

CHARGING VALVE

SHELL - 316 STAINLESS STEEL

BLADDER - AVAILABLE IN ELASTOMERS TO SUIT MOST APPLICATIONS.

THREADED CONNECTIONS AS STANDARD. WELDED FLANGES AVAILABLE



Model Ref	Volume (litres)	Pressure (bar)	Connection NPT female
DS 10	0.1	295	1/2"
DS 20	0.25	265	1/2"
DS 30	0.5	188	1"
DS 40	1.0	147	1 1/2"
DS 50	2.0	147	1 1/2"
DS 60	5.0	86	2"
DS 65	5.0	141	2"
DS 70	10	86	2"
DS 75	10	141	2"
DS 80	15	75	2"
DS 85	15	113	2"

Model Ref	Diameter (mm)	Length (mm)	Weight (Kg)
DS 10	63.5	145	2.5
DS 20	76.2	176	4.0
DS 30	88.9	228	6.0
DS 40	114.5	228	10
DS 50	114.5	383	14
DS 60	168.3	420	24
DS 65	168.3	435	31
DS 70	168.3	550	27
DS 75	168.3	565	36
DS 80	219.2	685	46
DS 85	219.2	695	62

Pressures are calculated in accordance with BS 5500 and are based on 316 stainless steel at a design temperature of 50° C

Elastomers (All bladders are one-piece moulding)
Nitrile, EPDM, and Viton B.